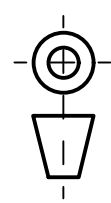
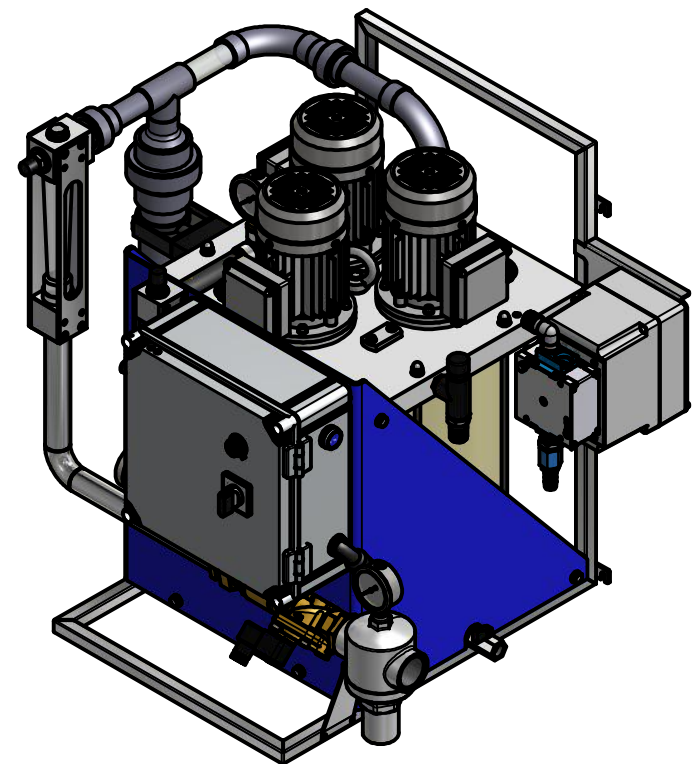
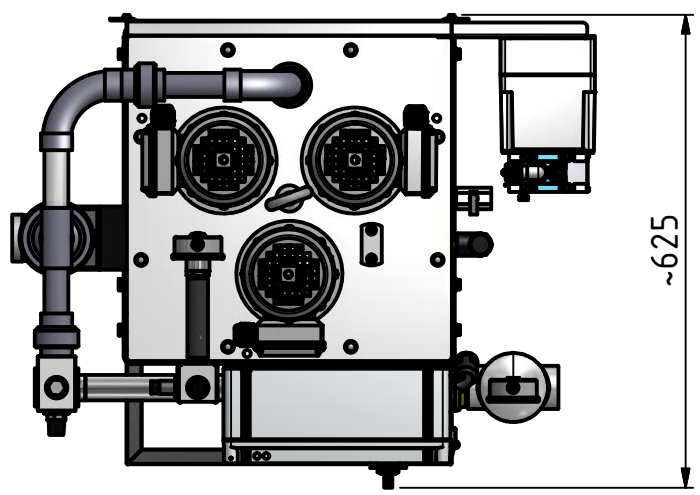
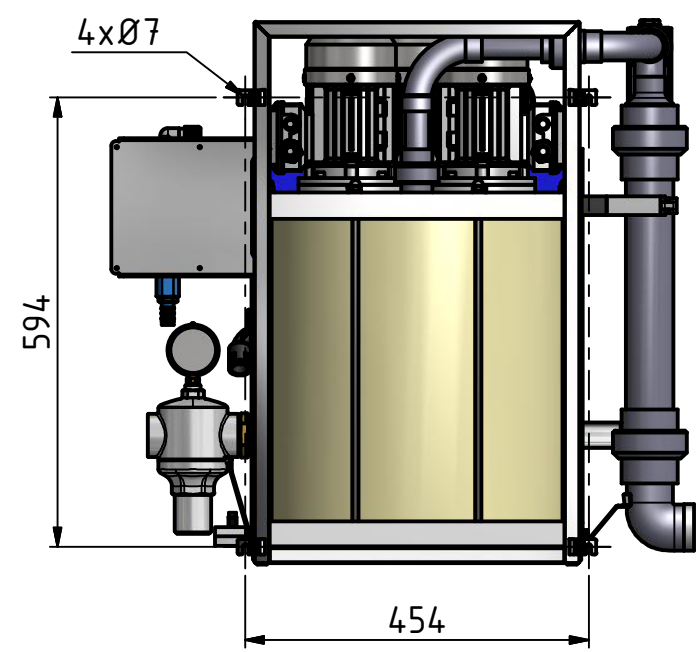
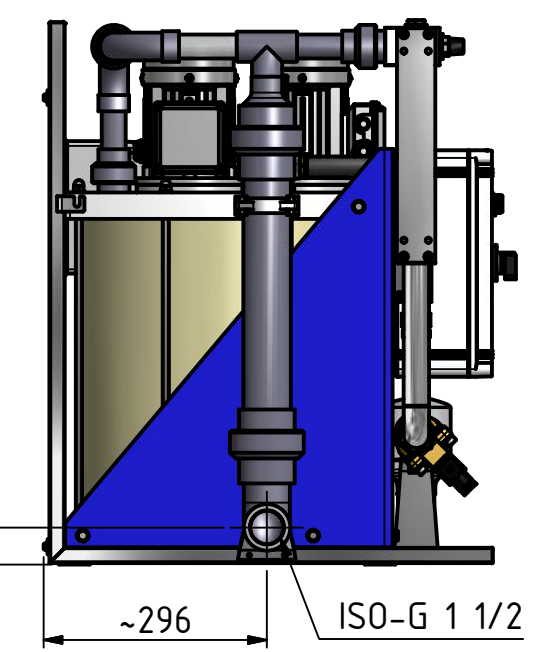
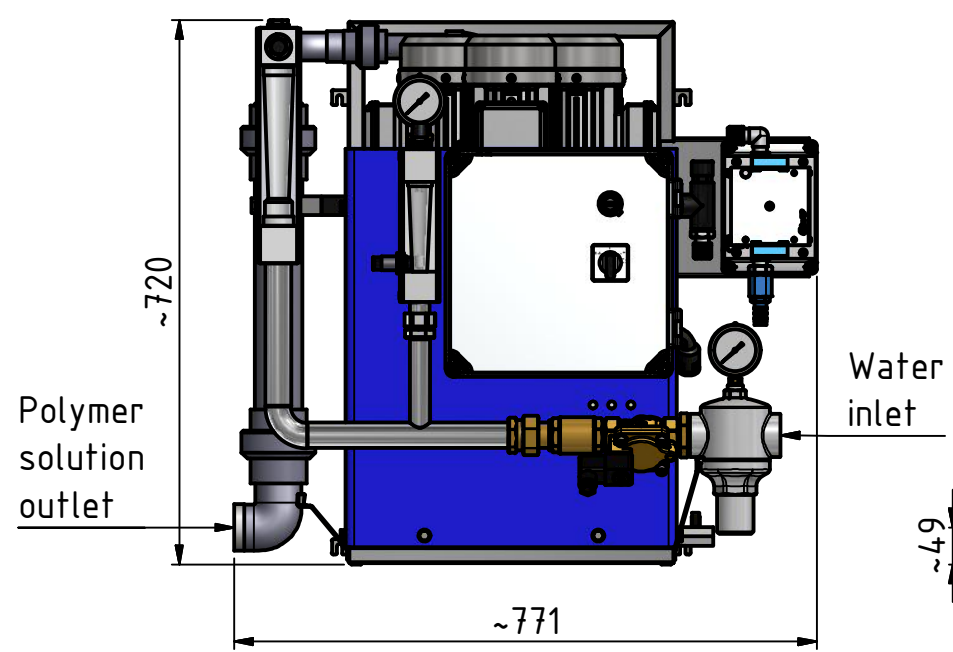
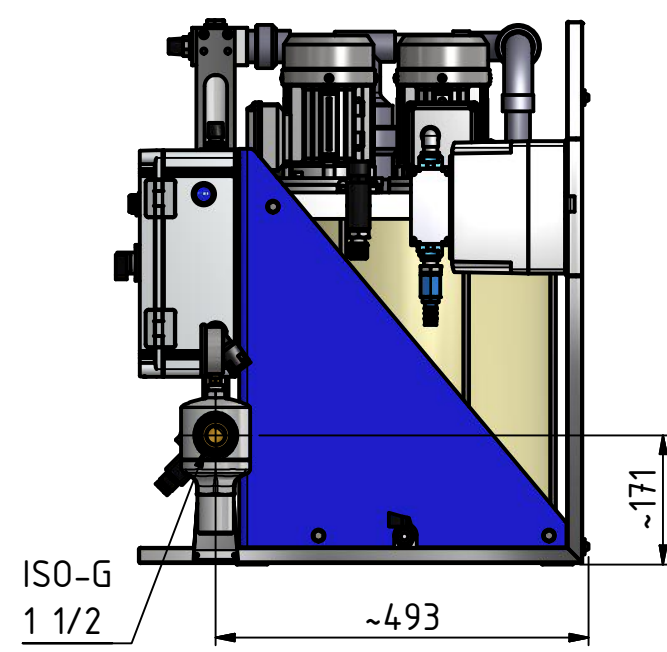


This drawing and associated computer data is the property of Polymore AB and must not be used, copied or disclosed to any third party without written consent.

DEBURRED EDGES
Where nothing else is stated.



TOLERANCE acc. to ISO
Where tol. are not stated - ISO 2768-mH for machining
they should correspond with ISO 13 920:1996 for welding



<p>Sweden www.polymore.se info@polymore.se</p>	Designed by	Checked by	Approved by	Weight	Date
	FREMAN			64,000 kg	2015-05-27
	Outline drawing POLYMORE midi			Filename IPT/IAM	Scale
			Drawing number	Revision	
			1408-01		