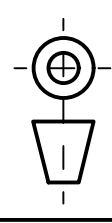


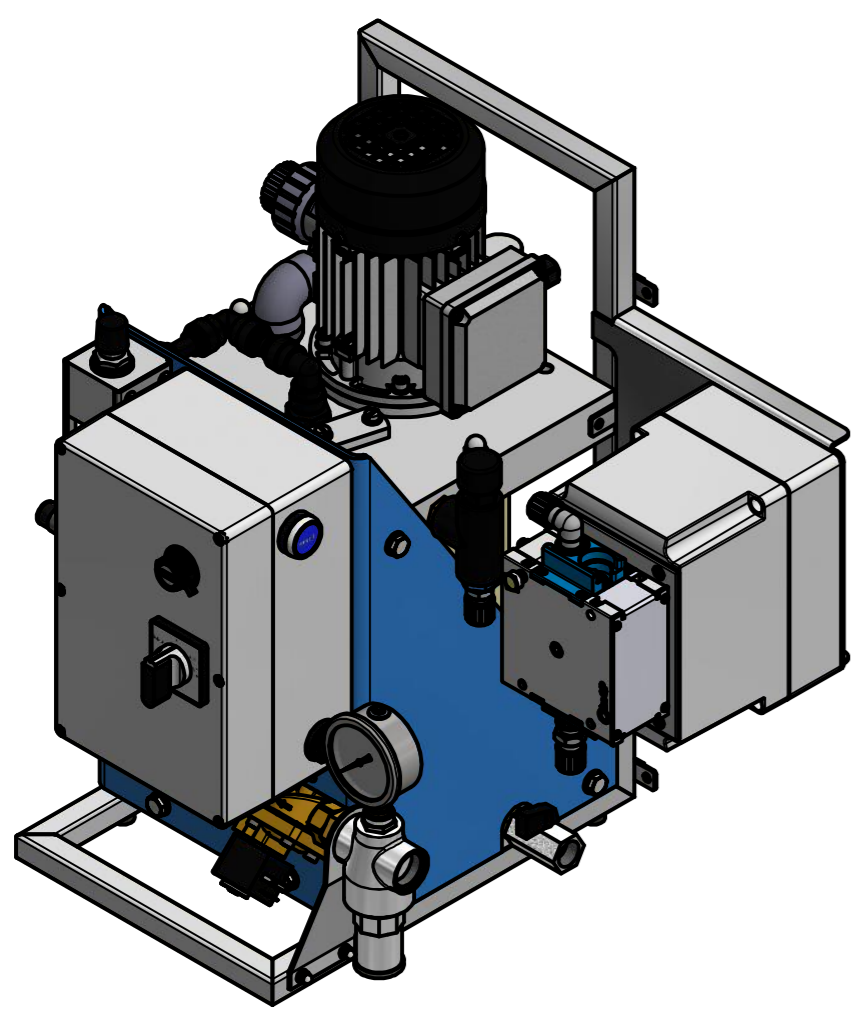
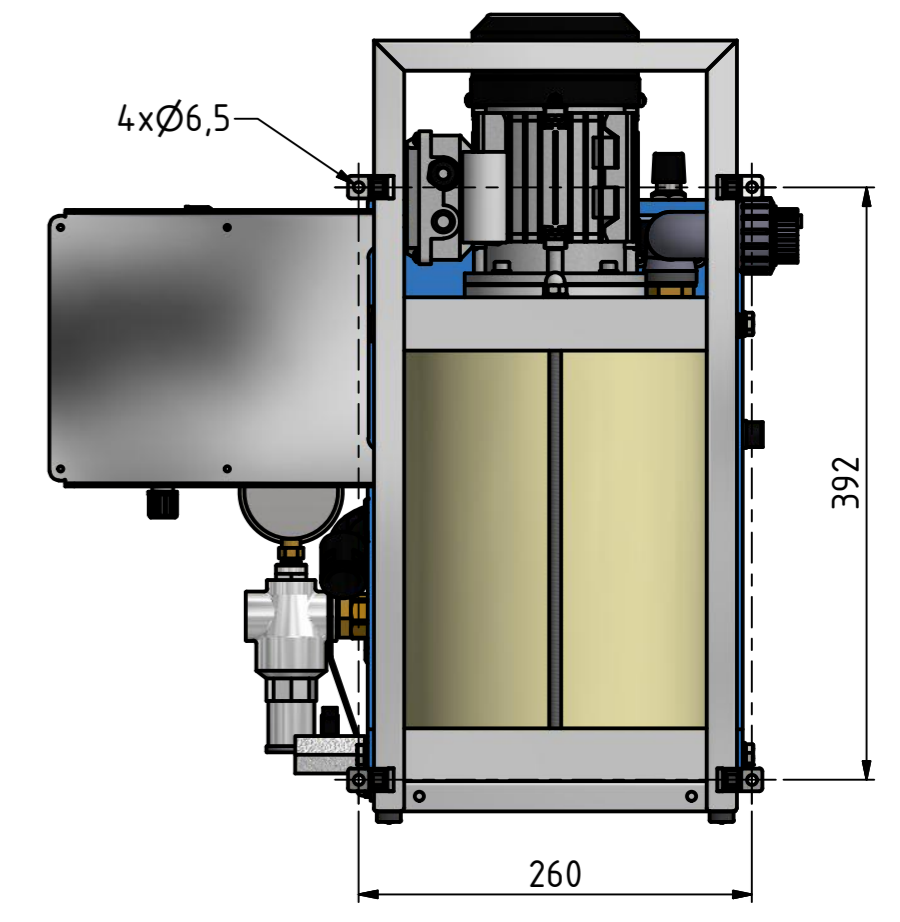
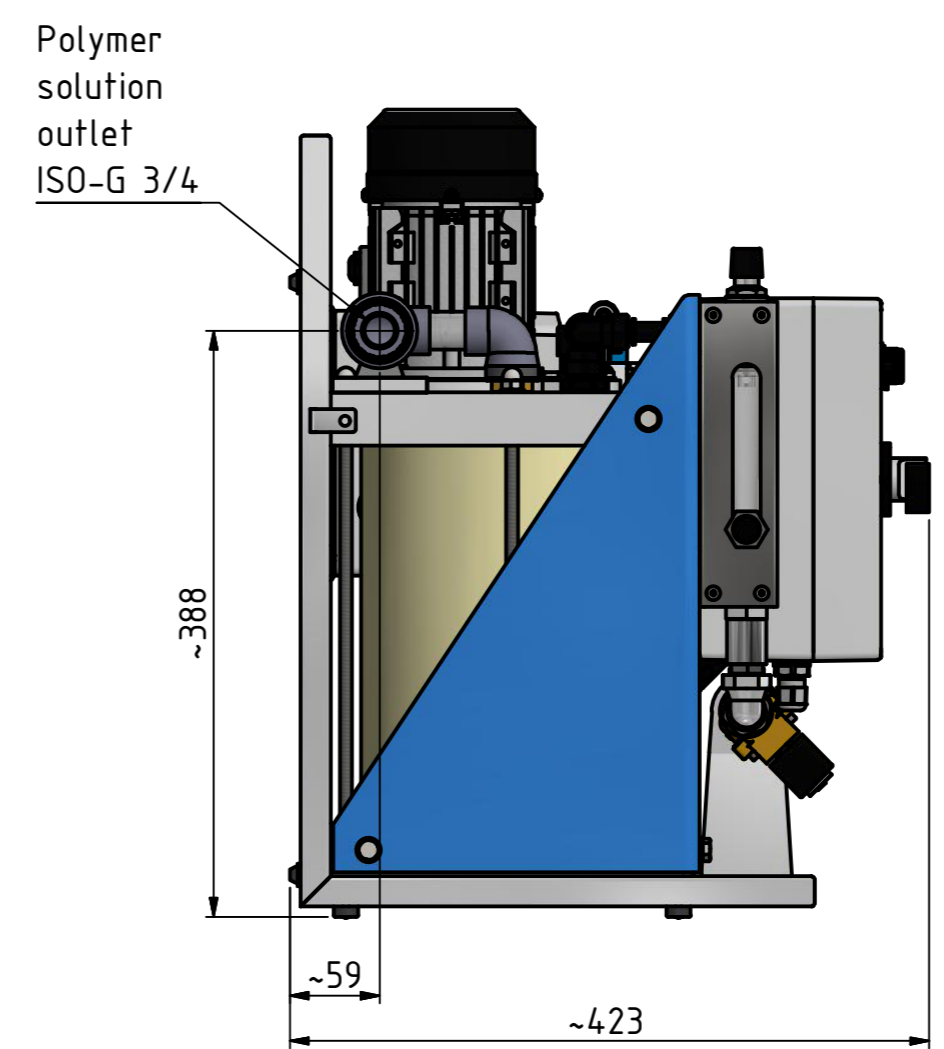
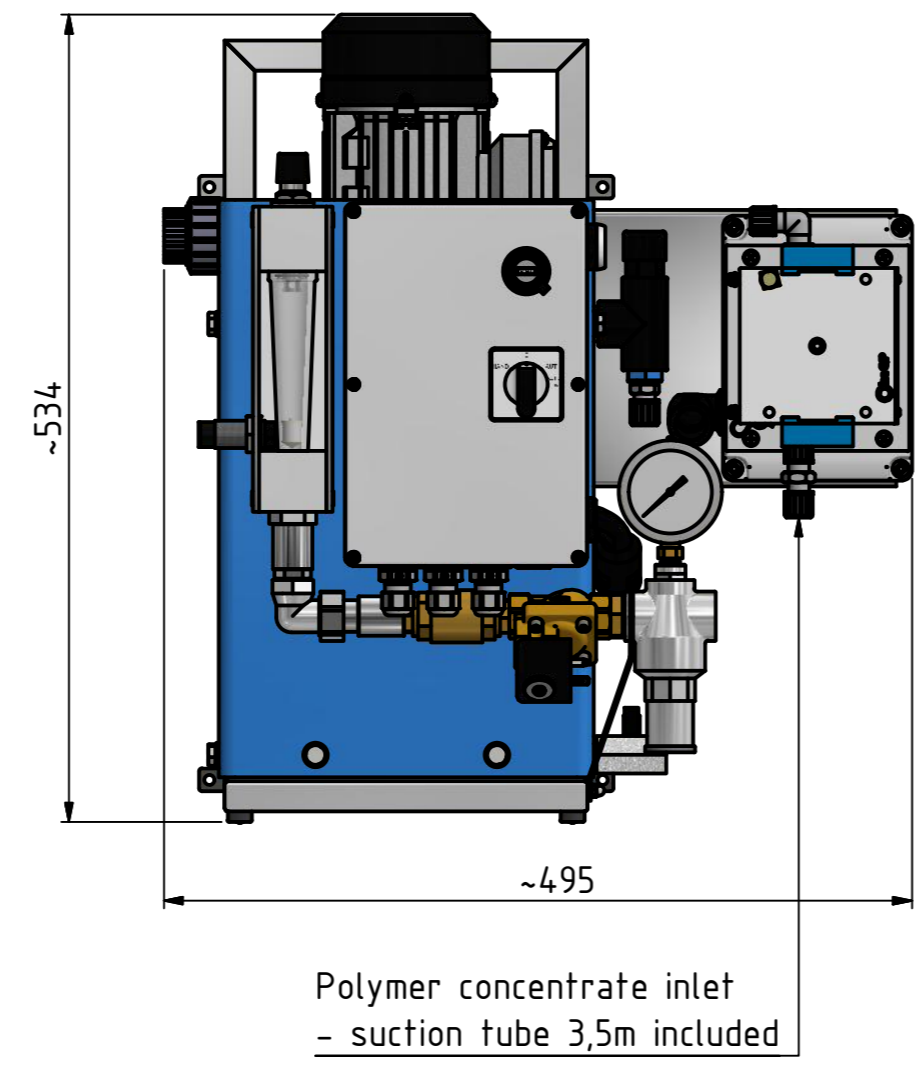
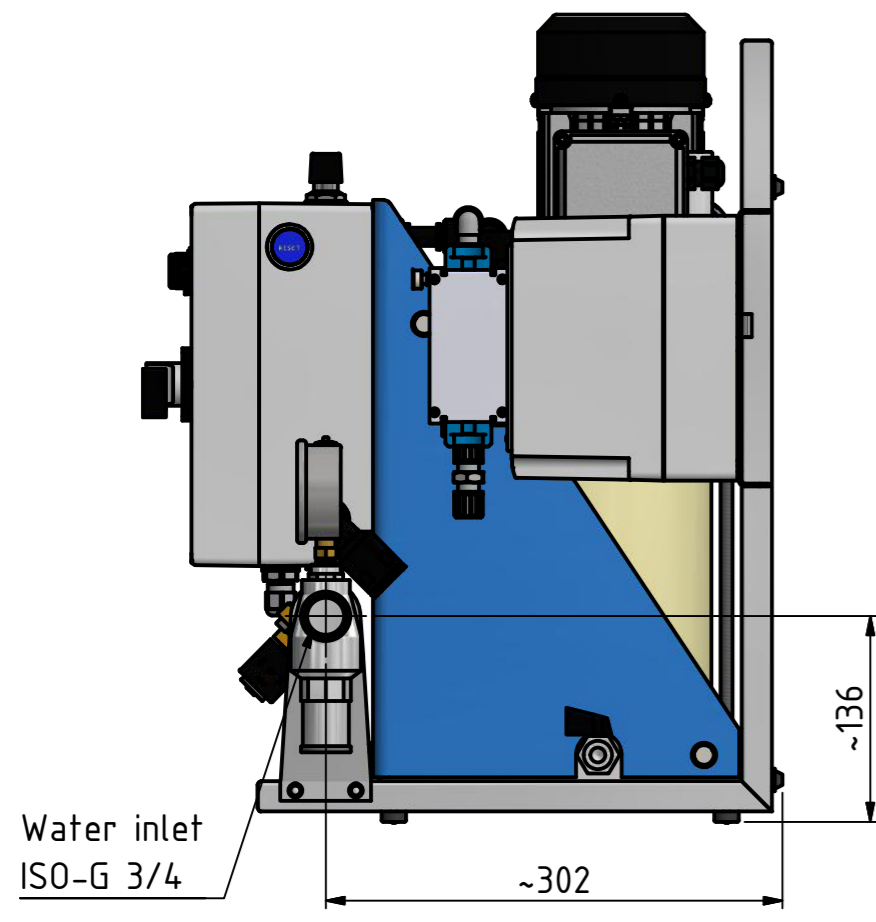
This drawing and associated computer data is the property of Polymore AB and must not be used, copied or disclosed to any third party without written consent.

DEBURRED EDGES  
Where nothing else is stated.



TOLERANCE acc. to ISO  
Where tol. are not stated -  
ISO 2768-mH for machining  
ISO 13 920:996 for welding  
they should correspond with

No.	Comment	Date	Approved by
A	General revision	2015-06-01	FM
B	Frame with changed	2016-02-24	FM



 Sweden <a href="http://www.polymore.se">www.polymore.se</a> <a href="mailto:info@polymore.se">info@polymore.se</a>	Designed by	Checked by	Approved by	Weight	Date
	FREMAN			25,0 kg	2012-10-05
	Outline drawing			Filename IPT/IAM	Scale
	POLYMORE mini			POLYMORE mini	1 : 5
	Drawing number			Revision	
	1326-1			B	